

STATEMENT OF LIABILITY

This gun is classified as a FIREARM or DANGEROUS WEAPON and is surrendered by us with the express understanding that we assume no liability for its re-sale or safe handling under local laws and regulations. Smith & Wesson assumes no responsibility for physical injury or property damage resulting from either intentional or accidental discharge, or for the function of any gun subjected to influences beyond their control, and will honor no claims which may result from careless handling, unauthorized adjustments, defective or improper ammunition, corrosion or neglect.

For your protection, examine your gun carefully at the time of purchase, then fill out and mail to us promptly the registration card bearing your gun's serial number which accompanies all new guns.

WARRANTY

The company will replace or adjust to its commercial standard any gun or part thereof returned prepaid to the factory and found by us to be defective in either material or workmanship. Such service will be made free of charge for one year from date of registered purchase. This warranty and statement of liability supersedes all previous warranties and commitments.

April 15, 1955

SMITH & WESSON
Springfield, Mass., U. S. A.

PLACE
STAMP
HERE

SMITH & WESSON

2100 ROOSEVELT AVENUE

SPRINGFIELD, MASSACHUSETTS 01101

U.S.A.

S&W 5

IMPORTANT!

The attached registration card must be completely filled out and mailed within 10 days of the purchase date to activate the warranty.

If guns are returned for servicing, please do not send custom stocks, holsters or gun cases, as we cannot accept responsibility for possible damage caused in transit.

Orders for parts or correspondence must include complete model number as stamped on gun.

Model No.  Serial No. 

Date of Purchase

Owner's Name and Address:

Mr.
Mrs. Miss

Dealer's Name

Principal Use of the Product (Please check only one)

- | Professional Use | Personal Use |
|-------------------------|------------------------|
| 1 () Municipal Police | 8 () Hunting |
| 2 () State Police | 9 () Plinking |
| 3 () Sheriff | 10 () Self Protection |
| 4 () Plant Guard | 11 () Target Shooting |
| 5 () Private Detective | 12 () Collector |
| 6 () Military | 13 () Other |
| 7 () Federal Police | |

To the end of knowing our customers and giving ever improving service, we would like to have the following information. However, if you are reluctant to offer this information, just fill in the above and mail it to Smith & Wesson to activate your warranty.

Owner's Occupation

Owner's Age-1 () Under 25; 2 () 25-45; 3 () Over 45

How many pistols and revolvers do you own (including this one)?

How many Smith & Wessons?

What outdoor or gun magazines do you read?

Number 000133 Serial Number B47552
Manufacture S&W Model M61
Barrel _____ Action _____
Caliber 22 Blue X Nickel _____
Supplier Micro Sight Co.
Invoice Number 1495 Date JUN 6 1972 CC BCNM
Sold to _____
Date _____ BY _____

SMITH & WESSON

.22 ESCORT — MODEL No. 61

LOADING AND FIRING

1. Put manual safety on safe position (up).
2. Insert loaded magazine into butt of gun until it is properly locked in position by magazine catch.
3. Pull the slide fully to rear and allow it to snap forward. *Do not* ease slide forward by hand.
4. Place safety on fire position (down) — gun is now ready to fire with each pull of trigger until magazine is empty.

IMPORTANT

This pistol has been designed so that it will not fire when the magazine has been removed. This is done as a safety feature but care should be exercised to keep the gun pointed in a safe direction and to keep hands away from the front of the muzzle when operating the slide.

NOTE: Due to inconsistent velocities and lubricants of .22 caliber ammunition it is a good policy to test fire various brands to determine which brands work best in your pistol and use this type for best performance.

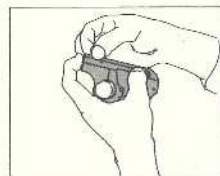
FIELD STRIPPING



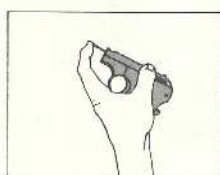
1. Remove magazine from gun.



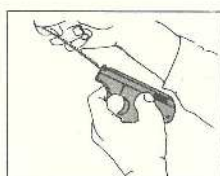
2. Pull slide back to check that chamber is clear.



3. Holding gun firmly in the hand, press down disassembly button on the front of the slide with index finger. Lift out front sight while holding button depressed.



4. Slowly let disassembly button out relieving pressure on recoil spring.



5. Remove spring and rod from slide.



6. Pull slide to extreme rearward position and lift straight up removing slide from frame. Reverse procedure to reassemble.

WARNING!

Before proceeding to use this weapon, a word of caution is in order. This pistol is as safe to handle and use as we can make it, but there is no fool-proof firearm. Be sure that the muzzle is pointing in a safe direction at all times, whether the gun is loaded or not. Make safe gun handling a habit.

Beware of obstacles in the barrel. If, when firing, a weak or peculiar report is heard, cease firing and inspect the barrel for an obstruction. If the barrel contains a stuck bullet, cleaning patch, mud, snow, twig, or even heavy grease, a bulged barrel will probably result upon firing.

Be careful how you treat the magazine. In loading the magazine into the gun simply press it into place — do not drive in forcibly, as this practice may in time cause distortion of magazine lips and resultant malfunctions. And don't drop it, particularly on a hard surface like concrete or rock — the results will be the same. Use extra caution in clearing jams in any

automatic pistol. No fixed procedure can be quoted other than the fact that you should proceed in a commonsense and safe manner.

1. If a jam occurs, keep the gun pointed in a safe direction and wait for a few seconds to be sure you don't get a hang-fire with the breech open.
2. Put manual safety in safe position (up).
3. Release magazine, withdrawing it completely from the gun.
4. Remove jammed cartridge *with extreme care*, remembering that pinching the rim of the case could cause the priming compound to detonate and thus explode the powder charge in the cartridge being worked on.
5. Do not touch the trigger at any time while unloading the gun, and keep the muzzle pointed in a safe direction until the weapon is cleared.

MAKE SAFE GUN HANDLING A HABIT.

Rev. 4-30-70



SMITH & WESSON



.22 ESCORT

MODEL No. 61

PARTS LIST • INSTRUCTIONS FOR USE • MAINTENANCE
SPECIFICATIONS • GUARANTEE



SPECIFICATIONS

Caliber	.22 Long Rifle	Weight	AIRWEIGHT® 14 ounces with magazine.
Magazine Capacity	5 Rounds	Finish	Blue
Barrel Length	2 1/8 inches	Sights	Fixed; Ramp Front, Square notch Rear.
Overall Length	4 13/16 inches	Stocks	Impact Resistant Plastic-Checked.
Overall Height	3 11/16 inches	Safety	Manual, Hammer Indicator.

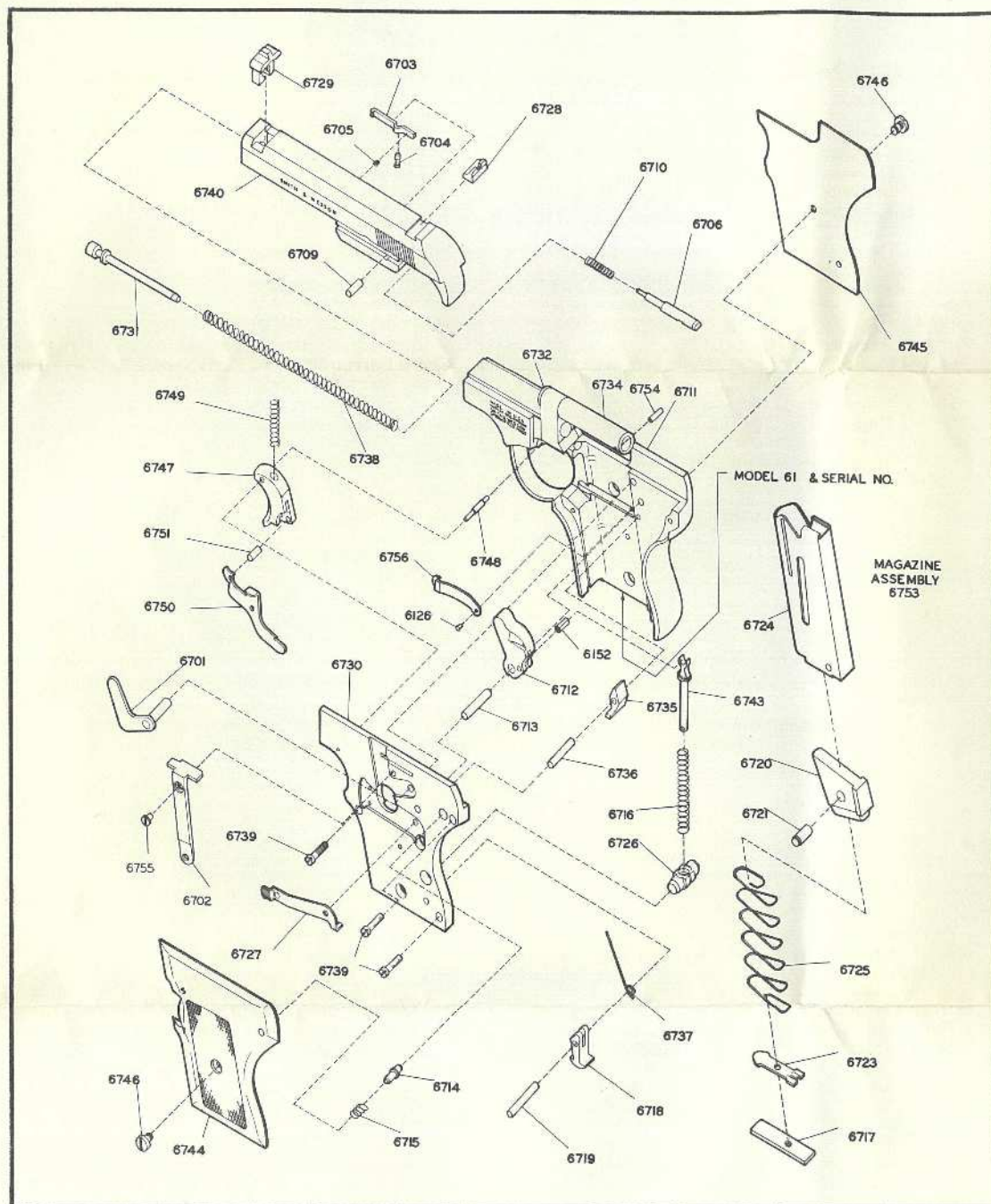
SMITH & WESSON

A BANGOR PUNTA COMPANY

Springfield, Massachusetts, U. S. A.

SMITH & WESSON

.22 ESCORT — MODEL No. 61



This schematic diagram and parts list conform to the current specifications provided by our Engineering Department. From time to time improvements are made in all our models. For this reason, the gun which you own may not correspond exactly with the information provided on this sheet. When requesting information or ordering parts for your gun, please provide the serial number and approximate date of purchase. 2-70

STATEMENT OF LIABILITY

This gun is classified as a FIREARM or DANGEROUS WEAPON and is surrendered by us with the express understanding that we assume no liability for its re-sale or safe handling under local laws and regulations. Smith & Wesson assumes no responsibility for physical injury or property damage resulting from either intentional or accidental discharge, or for the function of any gun subjected to influences beyond their control, and will honor no claims which may result from careless handling, unauthorized adjustments, defective or improper ammunition, corrosion or neglect.

For your protection, examine your gun carefully at the time of purchase, then fill out and mail to us promptly the registration card bearing your gun's serial number which accompanies all new guns.

WARRANTY

The company will replace or adjust to its commercial standard any gun or part thereof returned prepaid to the factory and found by us to be defective in either material or workmanship. Such service will be made free of charge for one year from date of registered purchase. This warranty and statement of liability supersedes all previous warranties and commitments. April 15, 1955

SMITH & WESSON

.22 ESCORT — MODEL No. 61

PARTS LIST

PRICES EFFECTIVE JULY 1, 1971 — Subject to change Without Notice — MINIMUM ORDER \$1.00

No.	Name	Price	No.	Name	Price
6701	Disconnecter	\$.50	6729	Front sight	\$.60
6702	Ejector	1.50	6730	Sideplate	3.40
6703	Extractor	1.00	6731	Recoil spring guide15
6704	Extractor pin10	6732	Recoil spring guide tube	1.00
6705	Extractor spring10	6734	Recoil spring retainer sleeve	1.00
6706	Firing pin	1.00	6735	Sear40
6709	Firing pin retaining pin10	6736	Sear pin10
6710	Firing pin spring10	6737	Spring, Magazine catch & sear10
6711	Frame (factory exchange only)	14.05	6738	Spring, recoil10
6712	Hammer	2.50	6739	Sideplate screw10
6713	Hammer pin10	6740	Slide & Barrel Assembly	15.00
6714	Indicator10	6743	Stirrup	1.00
6715	Indicator spring10	6744	Stock-left hand45
6716	Mainspring15	6745	Stock-right hand45
6717	Magazine butt plate10	6746	Stock screw15
6718	Magazine catch65	6747	Trigger	3.00
6719	Magazine catch pin10	6748	Trigger pin10
6720	Magazine follower15	6749	Trigger bar spring15
6721	Magazine pin10	6750	Trigger bar35
6723	Magazine spring plate	1.00	6751	Trigger bar pin10
6724	Magazine tube	3.50	6152	Stirrup pin10
6725	Magazine spring30	6753	Magazine Assembly	4.70
6726	Mainspring retainer90	6754	Recoil spring stop pin10
6727	Manual safety70	6755	Ejector screw10
6728	Rear sight	1.00	6756	Trigger Block15
			6126	Trigger Block Rivet10

REFINISHING — SMITH & WESSON WILL REFINISH HANDGUNS OF ITS OWN MANUFACTURE AT THE FOLLOWING PRICES: Refinishing — either blue or nickel — \$13.60. Change of finish — \$17.60. No change of finish is offered on the Victory or Airweight models or on the Models 28, 39 or 60. The time requirement is usually less than 60 days, and if repairs are necessary the cost of parts would be in addition to the above figures.

SERVICE

Should your Smith & Wesson revolver require adjustment, repair, or refinishing, we recommend most sincerely that the weapon be returned to the factory or authorized service center. There is no other way to insure that the work will be done in a properly equipped and staffed shop.

Charges are very reasonable, being based on the cost of parts replaced plus a labor charge for the time expended on the job. A labor charge for one hour is usually sufficient to cover all but very extensive overhaul jobs.

Revolvers returned to the factory or authorized service center should be MARKED FOR THE ATTENTION OF THE SERVICE DEPARTMENT. A letter of instructions should be enclosed with

the gun, and shipment by individuals must be made by Prepaid Railway Express. Adherence to these suggestions will prevent loss of time in handling at the factory.

When returning guns for service, please remove custom stocks and holsters. We cannot assume responsibility for these items.

When your revolver arrives for service, it will be very carefully inspected, together with your letter of instructions. Next, a quotation covering total cost of work to be performed will be sent to you. No actual work will be commenced before receiving your approval of our quotation unless you specifically authorize us to do so.

AUTHORIZED SMITH & WESSON WARRANTY AND SERVICE CENTERS

Smith & Wesson
2100 Roosevelt Avenue
Springfield, Mass. 01101

Cheshire & Perez
136 E. Walnut Street
Monrovia, Calif. 91016

CLEANING AND OILING

Pistols should be field stripped, cleaned, and oiled at reasonably frequent intervals to insure proper functioning.

1. Field strip per instructions elsewhere in this booklet.
2. Clean all areas that have been in contact with the by-products of explosion, using for this purpose a good commercial solvent and appropriate brushes or swabs.
3. After cleaning and drying all exposed areas, oil lightly using an acid-free gun or watch oil designated for this purpose. At the same time oil lightly all pivot points and moving contact areas.

The bore, chamber, and outside of the gun may be protected by coating lightly with a rust-inhibiting oil or grease.

4. If the gun is to be stored for a considerable length of time repeat this cleaning and oiling process several days later and before storage, as a certain amount of residue will work out of the metal, particularly the bore of the barrel, and this should all be removed and the gun re-oiled before it is finally put away.
5. Do not store guns for any length of time in a leather holster or case or in any type of container that will attract and hold moisture.